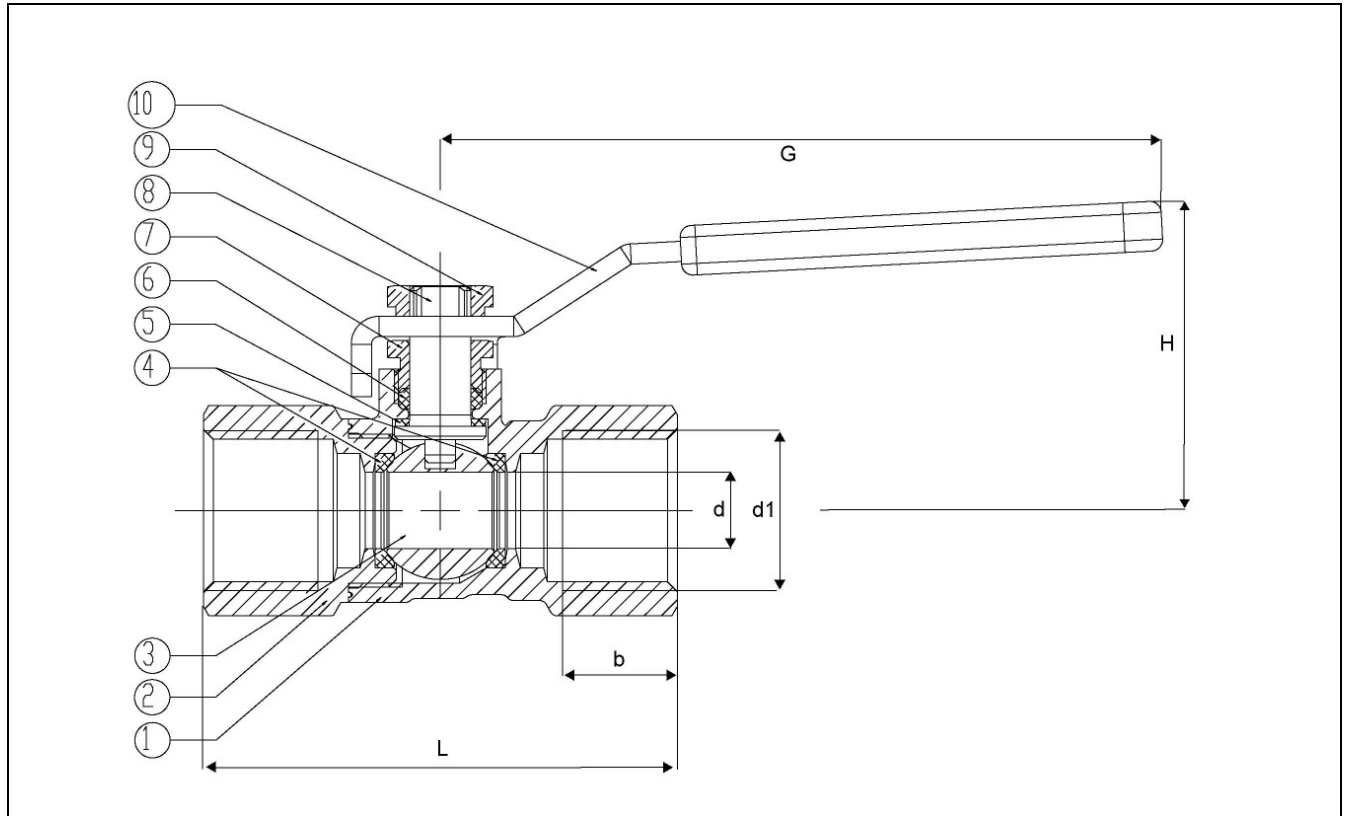


# BALL VALVES RK-BALL-O-TOP

VRN 2000, ¼" - 3", PN16/25/63

brass ball valves with threaded ends - reduced bore



No.	Part	Material
1	body	2.0402
2	cap	2.0402
3	ball	2.0401 chrome-plated
4	sealing ring	PTFE
5	seal	PTFE
6	gland ring	PTFE
7	stuffing box bolt	2.0401
8	spindle	2.0401
9	hex. nut	2.0401
10	lever	steel, plastic cover

**Brass ball valve with threaded ends**  
 acc. to DIN EN 10226-1  
 reduced bore  
 face to face dimensions acc. to  
 producers standard

**Operating conditions:**  
 operating pressure from 16 to 63 bar

**Operating temperature:**  
 -20°C up to + 150°C

**Threads acc. to:**  
 standard ISO 7/1

## Dimensions

nominal size inch d1	mm d	PN	dimensions (mm)				width across flats	weight ca. kg
			H	G	b	L		
Rp ¼"	8	63	33	65	10	43	17	0.07
Rp ⅜"	8	63	33	65	11.4	48	21	0.15
Rp ½"	10	63	40	95	15	62	25	0.17
Rp ¾"	14	63	43	95	16.3	68	31	0.25
Rp 1"	19	63	55	115	19.1	80	39	0.45
Rp 1 ¼"	24	25	57	115	21.4	96	48	0.75
Rp 1 ½"	30	25	72.5	155	21.4	102	54	1.25
Rp 2"	38	25	78.5	155	25.7	122	67	2.07
Rp 2 ½"	47	25	94.5	175	30.1	146	86	3.30
Rp 3"	62	16	111.5	215	33.3	168	100	5.50

**Ordering example:**  
 VRN 2000 Rp ¼"